

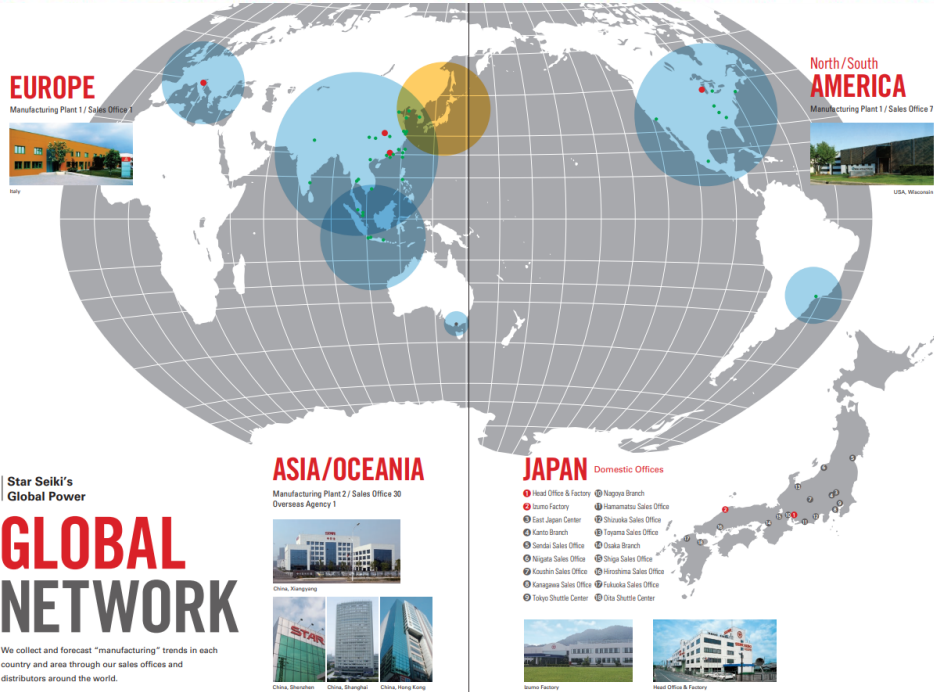
Eins Division is your source for robot hand parts!

Tool changers, suction pads, cylinders, air nippers, lightweight frames, carbon pipes, etc. more than 1400 kinds of robot hand parts in stock at any given time. All robot hand parts are available at "Eins".



STAR SEIKI's global network

Japan 18 | Asia/Oceania 33 | America 11 | Europe 1



Star Seiki's
Global Power

GLOBAL NETWORK

We collect and forecast "manufacturing" trends in each country and area through our sales offices and distributors around the world.

North America	U.S.A.	STAR AUTOMATION, INC. WISCONSIN (HEADQUARTERS)	U.S.A.	STAR AUTOMATION, INC. GEORGIA OFFICE
	U.S.A.	STAR AUTOMATION, INC. MICHIGAN OFFICE	U.S.A.	STAR AUTOMATION, INC. RHODE ISLAND OFFICE
	U.S.A.	STAR AUTOMATION, INC. CALIFORNIA OFFICE	U.S.A.	STAR AUTOMATION, INC. TENNESSEE OFFICE
	U.S.A.	STAR AUTOMATION, INC. INDIANA OFFICE	Mexico	STAR SEIKI MEXICO S.A. DE C.V.

South America	Brazil	STAR SEIKI BRASIL LTDA.	Europe	Italy	STAR AUTOMATION EUROPE S.P.A.
---------------	--------	-------------------------	--------	-------	-------------------------------

Asia	China	STAR SEIKI (SHANGHAI) CO., LTD.	Taiwan	STAR SEIKI TAIWAN, INC. TAINAN OFFICE
	China	STAR SEIKI (SHANGHAI) CO., LTD. DALIAN OFFICE	Taiwan	STAR SEIKI TAIWAN, INC. TAICHUNG OFFICE
	China	STAR SEIKI (SHANGHAI) CO., LTD. TIANJIN OFFICE	Korea	STAR SEIKI KOREA CO., LTD.
	China	STAR SEIKI (SHANGHAI) CO., LTD. QINGDAO OFFICE	Thailand	STAR SEIKI (THAILAND) CO., LTD.
	China	STAR SEIKI (SHANGHAI) CO., LTD. SUZHOU OFFICE	Thailand	STAR SEIKI (THAILAND) CO., LTD. PRACHINBURI BRANCH
	China	STAR SEIKI (SHANGHAI) CO., LTD. WUHAN OFFICE	Singapore	STAR SEIKI SINGAPORE PTE. LTD.
	China	STAR SEIKI (SHANGHAI) CO., LTD. SHENZHEN BRANCH	Malaysia	STAR SEIKI (SINGAPORE) PTE. LTD. K.L. BRANCH
	China	STAR SEIKI (SHANGHAI) CO., LTD. YUYAO OFFICE	Malaysia	STAR SEIKI (SINGAPORE) PTE. LTD. J.B. BRANCH
	China	STAR SEIKI (SHANGHAI) CO., LTD. GUANGZHOU OFFICE	Indonesia	PT. STAR SEIKI INDONESIA
	China	STAR SEIKI (SHANGHAI) CO., LTD. XIAMEN OFFICE	Indonesia	PT. STAR SEIKI INDONESIA BEKASI BRANCH
	China	STAR SEIKI (SHANGHAI) CO., LTD. CHONGQING OFFICE	Indonesia	PT. STAR SEIKI INDONESIA SURABAYA BRANCH
	China	STAR SEIKI (SHANGHAI) CO., LTD. CHENGDU OFFICE	Philippines	STAR SEIKI PHILIPPINES INC.
	China	STAR AUTOMATION (SHENZHEN) CO., LTD.	Vietnam	STAR SEIKI (VIETNAM) CO., LTD.
	China	STAR SEIKI (XIANG YANG) CO., LTD.	Vietnam	BRANCH OF STAR SEIKI (VIETNAM) CO., LTD. IN HO CHI MINH CITY
	China	STAR SEIKI (HONGKONG) CO., LTD.	India	STAR SEIKI INDIA PRIVATE LIMITED
	China	STAR SEIKI (HONGKONG) CO., LTD.	India	STAR SEIKI INDIA PRIVATE LIMITED CHENNAI OFFICE
	Taiwan	STAR SEIKI TAIWAN, INC.		



Track Motion

ROBOT TRAVERSE AXIS UNIT



Helping you solve your production process problems !

Lineup from STAR SEIKI, a comprehensive Cartesian Robot manufacturer

Adding a traverse axis unit further **saves labor and improves efficiency!!**

STAR SEIKI CO., LTD.

Star Seiki's Track Motion TM10/TM20 series robot traverse axis unit can help solve your production process problems. The prevalence of robots is constantly increasing due to improved productivity and reduced workload for workers. We understand that system integrators are thinking about how to make the best use of the robots they have introduced.

With the envisioned system, you may have the situations such as ;

Robot payload is satisfactory but lacks reach.

Need to move the mother machine for maintenance.

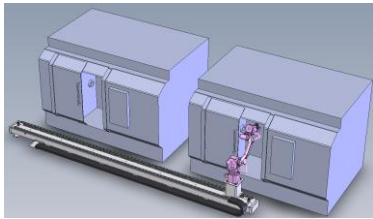
We would be happy if we could help our customers meet their expectations through our products. For example, a single robot can transfer workpieces to multiple processing machines.

Seamless frame for stable running of processes that require long continuous operation.

It also contributes to reducing vibration during driving and installation time.

Adding a traverse single-axis unit further reduces labor and improves efficiency!

■ Example of use (workpiece transfer between processing machines/FA system)



■ Equipment in our plant used for production



Track Motion

■ POINT

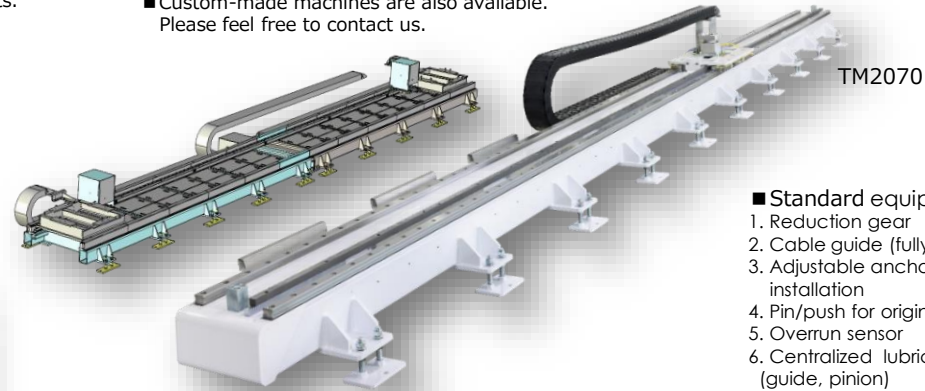
• Support for various robot manufacturers.

• For motors and control, the robot's additional axis function (additional specification) can be used to control the traverse axis.

Coordinated movements are possible, so posture and speed can be synchronized, and movement becomes smooth.

■ Custom-made machines are also available.

Please feel free to contact us.



TM2070

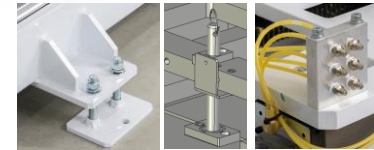
■ Standard equipment

1. Reduction gear
2. Cable guide (fully closed)
3. Adjustable anchor for floor installation
4. Pin/push for origin adjustment
5. Overrun sensor
6. Centralized lubrication port (guide, pinion)

■ Options

1. Reduction gear (motor specification)
2. Cable guide (open type/none/increased capacity)
3. LM guide SHS dust-proof specification
4. No adjustment for installation (without plate)
5. Specified color
6. Stand for robot installation (not standard)
7. STAR SEIKI control

■ For drawing data (DXF/Step) of TM10/20 series



■ About model names

TM 10 10

Symbol	
TM	TrackMotion

Symbol	Series
10	Load 250KG type
20	Load 480KG type

Symbol	Stroke
10	1000mm
20	2000mm
30	3000mm
40	4000mm
50	5000mm
60	6000mm
70	7000mm

■ LINE UP ■ Specification

TM10 series

Model	Max. load	Effect. Stroke	Weight	Length (L)	Width (W)	Height (H)	Capacity (Assumed)	Max. Speed	Max. Accel.	Max. Torque	Drive	LM guide	Reduction	Repeatability	Cable guide
TM1010	260KG	1000mm	280KG	1994mm	722mm	273mm w/o adjust spacer	1500W	1.44m/sec	2.32m/s ²	14.3N · m pinion gear P.C.D. 75	Rack & Pinion	SHS35 THK	1/9 VRXF*** Shimpo	±0.05mm	TKC*** fully close Tsubaki
TM1020		2000mm	400KG	2994mm											
TM1030		3000mm	525KG	3994mm											
TM1040		4000mm	655KG	4994mm											
TM1050		5000mm	785KG	5994mm											
TM1060		6000mm	915KG	6994mm											
TM1070		7000mm	1045KG	7994mm											

TM20 series

Model	Max. load	Effect. Stroke	Weight	Length (L)	Width (W)	Height (H)	Capacity (Assumed)	Max. Speed	Max. Accel.	Max. Torque	Drive	LM guide	Reduction	Repeatability	Cable guide
TM2010	480KG	1000mm	435KG	2296mm	772mm	364mm w/o adjust spacer	2000W	1.87m/sec	3.18m/s ²	28.6N · m pinion gear P.C.D. 140	Rack & Pinion	SHS45 THK	1/9 VRKF*** Shimpo	±0.05mm	TKC*** fully close Tsubaki
TM2020		2000mm	600KG	3296mm											
TM2030		3000mm	765KG	4296mm											
TM2040		4000mm	940KG	5296mm											
TM2050		5000mm	1105KG	6296mm											
TM2060		6000mm	1275KG	7296mm											
TM2070		7000mm	1445KG	8296mm											

※ We will verify whether or not the items to be loaded can be transported.

※ Specifications and appearance are subject to change without notice.